

The OC5 package

ADVANTAGES

- ✓Surface Mount
- ✓Low Cost
- ✓Hermetic Package
- ✓70MHz Operating Frequency

APPLICATIONS

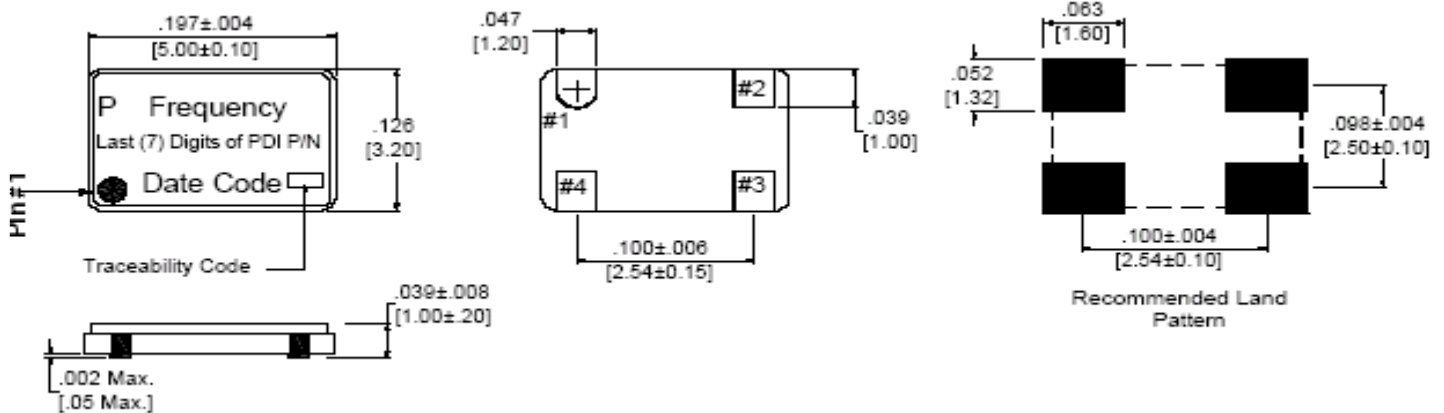
- ✓Telecommunications
- ✓Avionics
- ✓Microprocessors
- ✓Personal Computers
- ✓Modem Chip Sets
- ✓Ethernet Cards
- ✓Military



ELECTRICAL PERFORMANCE (Ta=25°C)

PARAMETER	MINIMUM	MAXIMUM	UNITS
Center Frequency	1.0	150.0	MHz
Oscillation Mode	(see note 4)		
Supply Voltage	2.5	5.0	Voltage
Frequency Stability at +25°C (See Note 2)	±50.0ppm Typ.		ppm
Frequency Stability Over Temperature	±50.0ppm Typ.		ppm
Operating Temperature Range (See Note 2)	0 to 70	-55 to 125	°C
Storage Temperature Range	-55	125	°C
Drive Level	100.0uW Typical		
Seal Method	Resistance Weld		

Parameter	Standard Observed
Mechanical Shock	MIL-STD-202 Method 213, Condition C
Vibration	MIL-STD-202 Method 201, 204, and 214
Hermeticity	MIL-STD-202, Method 112
Solderability	IPC/EIA-STD-002A



- NOTES**
- 1) To order, state part number, options and nominal frequency e.g. OC7 100.000MHz
 - 2) Other temperature ranges, stabilities and electrical parameters are readily available upon request.
 - 3) Other specifications available upon request.
 - 4) Dependent on frequency and mode

Precision Devices INC. – 8840N, Greenview Drive, Middleton WI 53562, Tel- 1-800-274-XTAL, Fax- 1-608-831-3343, www.pdixtal.com Outside US Phone- 608-381-4445, E-mail- sales@pdixtal.com
 PD (HK) Ltd. – Tel- (852)-2367-3626, Fax- (852)-2646-3122, E-mail- sales@pdixtal.com.hk
 PD (UK) Ltd. – Tel- +44 (0)1223 834444, Fax- +44(0)1223 834589, E-mail- sales@pdixtal.co.uk