

C8

# Precision Devices Inc.

1-800-274-XTAL

INFO@PDIXTAL.COM



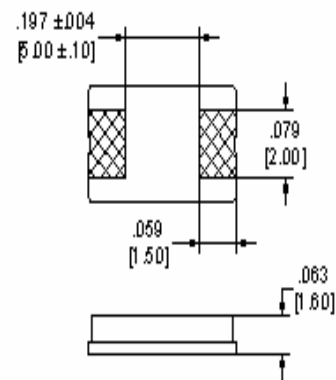
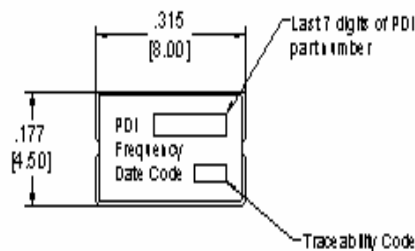
## CERAMIC 2 PAD QUARTZ CRYSTAL

The C8 series provides a broad range of frequencies, packaged in a robust, high reliability enclosure. The C8 is excellent for tight board space applications.

### ELECTRICAL PERFORMANCE (Ta=25°C)

Parameter	Standard Observed
Mechanical Shock	MIL-STD-202 Method 213, Condition C
Vibration	MIL-STD-202 Method 201, 204, and 214
Hermeticity	MIL-STD-202, Method 112
Solderability	IPC/EIA-STD-002A

PARAMETER	MINI-MUM	MAXI-MUM	UNITS
Center Frequency	12	50	MHz
Maximum Series Resistance (See Note 3)	50		Ohms
Frequency Stability at +25°C (See Note 2)	±50	±100	ppm
Frequency Stability Over Temperature	±50	±100	ppm
Operating Temperature Range (See Note 2)	-20 to 70		°C
Storage Temperature Range	-40 to 85		°C
Drive Level	100uW	500uW	uW
Shunt Capacitance	7		pF
Motional Capacitance	Customer Specified		
Load Capacitance	18 (Customer Specified)		pF
Aging per year	±5		ppm



### CONNECTIONS

